

#### EXPANSION JOINTS

Expansion joints are used mainly to absorb dimensional changes caused by thermal movements of a pipe-line. They consist of bellows formed from a thin walled stainless steel tube.

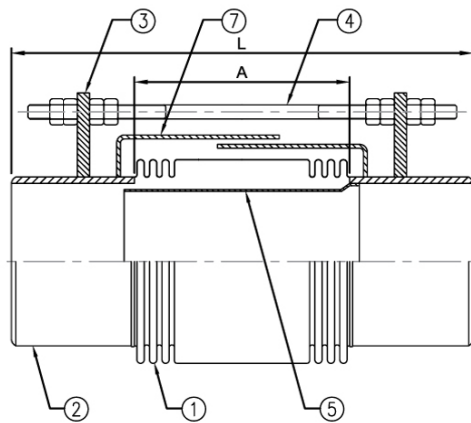
Bellows expansion joints are preferred to other methods of absorbing pipe movements such as pipe loops and slip-type joints. Pipe loops are wasteful of space while slip joints require regular maintenance. Additionally loops and slip joints are capable of absorbing movement that is in line with the pipe only. Bellows joints require no maintenance and allow many types of movement in a compact space.

Bellows expansion joints are available in flanged, weld, grooved or threaded ends.

Internal liners to prevent erosion of the inner surface of the bellows and the induced vibrations by the flowing fluid are available.

Optional features include tie rods to restrain pressure thrust and shrouds to protect the outer surface of the bellows from damage in buried installation.

Consult Kinetics for proper anchoring and guiding of pipe with expansion joints to prevent extending or buckling of joints due to pressure thrusts.



#### THREADED ENDS - BSP / NPT

Model - SSEJ-250T

#### WELD ENDS - SCHEDULE 40 PIPE

Model - SSEJ-250W

#### GROOVED ENDS - SCHEDULE 40 PIPE

Model - SSEJ-250G

FOR TIE RODS ADD "SG" SUFFIX

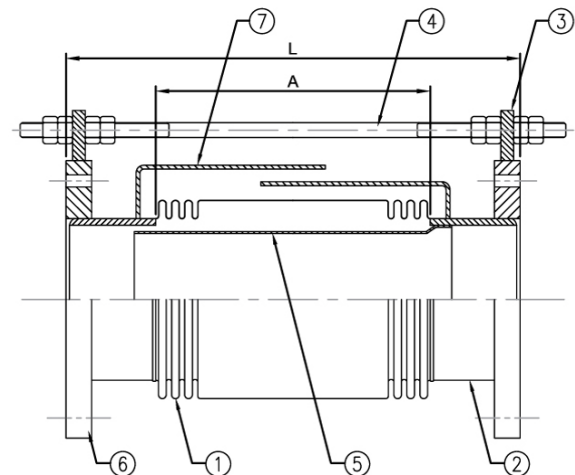
FOR EXTERNAL SHROUD ADD "ES" SUFFIX

#### STANDARD FINISH

FLANGES / GUSSETS : GALVO PAINT

CONTROL ROD & HARDWARE : ZINC PLATED

OTHER FINISHES ON REQUEST



#### FLANGED ENDS - ANSI ASA 150 / 300 OR BS4504 PN16 / PN25 / PN40

Model - SSEJ-150F / 300F

FOR TIE RODS ADD "SG" SUFFIX

FOR EXTERNAL SHROUD ADD "ES" SUFFIX

WORKING PRESSURE : 16 bar / 25 bar / 40 bar

WORKING TEMPERATURE : -50°C to +450°C

AXIAL MOVEMENT : + / - 25mm

OTHER MOVEMENT(S) ON REQUEST

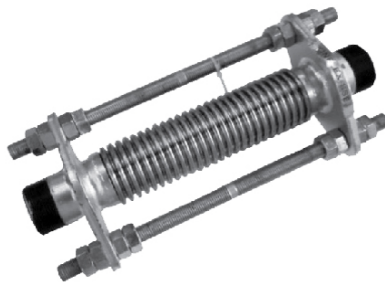
■ CONSTRUCTION		
ITEM	PARTS	MATERIAL
1	BELLOWS	SST304 (2 PLY), 40 BAR (3 PLY)
2	TUBE	CARBON STEEL
3	GUSSET	CARBON STEEL
4	TIE RODS	CARBON STEEL
5	INNER SLEEVE	SST304
6	FLANGE	CARBON STEEL
7	EXTERNAL COVER (Optional)	CARBON STEEL
OTHER MATERIALS ON REQUEST		

NOMINAL BORE mm	TOTAL LENGTH (L) (+/-5mm)					BELLOWS				BELLOWS			
						250T/250W/250G-ES		250T/250W/250G-ES		CORRS		A	
	250T 250T- ES	250W/G 250W/G- ES	150F	300F	150F-ES 300F-ES	CORRS		A		150F/ 150F-ES	300F/ 300F-ES	150F/ 150F-ES	300F/ 300F-ES
				25/40 BAR		16 BAR	25 BAR	16 BAR	25 BAR	16 BAR	25/40 BAR	16 BAR	25/40 BAR
15	300	300	--	--	400	27	29	140	150	--	--	--	--
20	300	300	--	--	400	27	29	140	150	--	--	--	--
25	300	300	--	--	400	27	29	140	150	--	--	--	--
32	300	300	--	--	400	26	28	180	190	--	--	--	--
40	350	350	300	350	400	24	26	180	190	24	26	180	190
50	350	350	300	350	400	24	26	180	190	24	26	180	190
65	350	350	300	350	400	14	16	140	160	14	16	140	160
80	350	350	300	350	400	14	16	140	160	14	16	140	160
100	350	350	300	350	400	12	14	140	155	12	14	145	170
125	--	350	300	350	400	--	--	--	--	12	14	145	170
150	--	350	300	350	400	--	--	--	--	12	14	145	170
200	--	350	300	350	400	--	--	--	--	10	12	140	168
250	--	350	300	350	400	--	--	--	--	10	12	140	168
300	--	350	300	350	400	--	--	--	--	10	12	140	168
350	--	350	300	350	400	--	--	--	--	6	8	140	186
400	--	350	300	350	400	--	--	--	--	6	8	140	186
450	--	350	300	350	400	--	--	--	--	6	8	140	186
500	--	350	300	350/400	400	--	--	--	--	6	8	140	186
600	--	350	300	350/400	400	--	--	--	--	4	6	140	210

**LARGER SIZES ON REQUEST**



SSEJ-250T/W/G



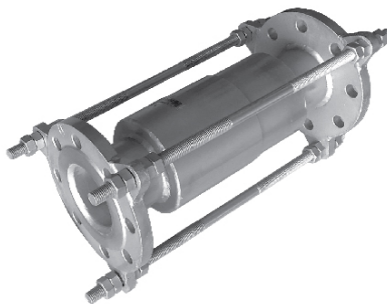
SSEJ-250T/W/G-SG



SSEJ-250T/W/G-SG-ES



SSEJ-150F/300F-SG



SSEJ-150F/300F-SG-ES

**KINETICS**  
United Kingdom

Kinetics Middle East UK  
8 Spring Meadows Business Centre  
Highfield Lane, Wargrave,  
Berkshire RG10 8PZ  
Email: [kineticsuk@aol.com](mailto:kineticsuk@aol.com)